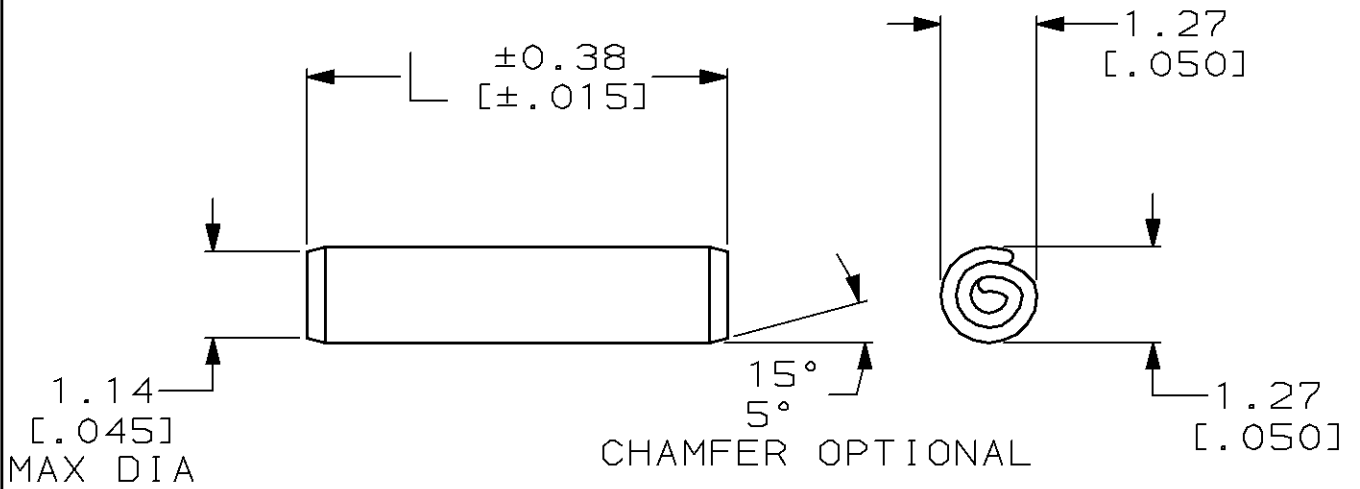


LOC	DIST	REVISIONS				
P	LTR	DESCRIPTION	DATE	DWN	APVD	
FT	8	H	REDRAWN W/O CHANGE PER EC 0020-287-96	03 JUN 96	-	-



3.18 [.125]	201501-3
4.78 [.188]	201501-2
5.56 [.219]	201501-1
L	PART NUMBER

RELEASED FOR PUBLICATION

THIS DRAWING IS UNPUBLISHED.

ALL RIGHTS RESERVED.

BY AMP INCORPORATED.

COPYRIGHT 19

©

DIMENSIONS: mm [INCHES]	DWN C. REIFSNYDER 03 JUN 96	MATERIAL STAINLESS STEEL	FINISH PASSIVATED
TOLERANCES UNLESS OTHERWISE SPECIFIED:	CHK R. STONE 16 JUL 96	AMP AMP Incorporated Harrisburg, PA 17105-3608	
0 PLC ±-	APVD G. A. STEINHAUER 23 JUL 96		
1 PLC ±-	PRODUCT SPEC	NAME SPIROL PIN, MEDIUM DUTY, M SERIES	
2 PLC ±0.08 [.003]	APPLICATION SPEC	SIZE A4	CAGE CODE 00779
3 PLC ±-	WEIGHT	DRAWING NO C-201501	SCALE 10:1
4 PLC ±-	CUSTOMER DRAWING	SHEET 1 OF 1	REV H
ANGLES ±-			

